

3-inch Flexible Discharge Hose

FEATURES

- Stainless Steel Braided
- Grooved Fittings
- For Approvals, see the "COMPATIBILITY" table on page 2.

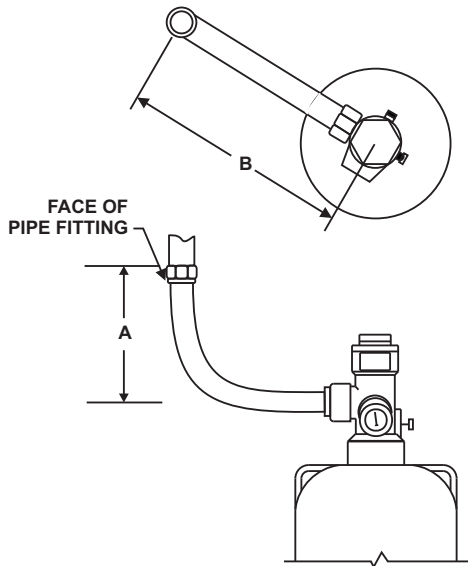
P/N: 06-118225-001

DESCRIPTION

Stainless Steel flexible hose is used to connect the 3-inch valve cylinders to discharge piping. The hose has a grooved fitting at the cylinder end and a 3-inch male groove fitting to connect to the piping.

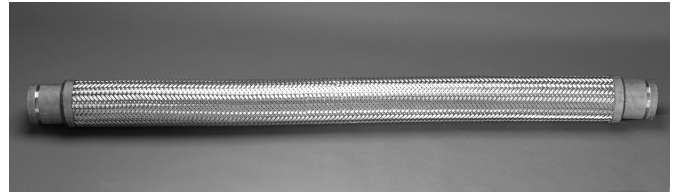
INSTALLATION

The stainless steel flexible braided hose may be installed horizontally or with a 90 degree bend radius as shown in the diagram below.



Dimensions	
A	B
33 in. (838 mm)	36 in. (914 mm)

Note: Dimensions A and B must be maintained in order to obtain a smooth radius in flexible loop. Hose may require adapter to connect to system piping.



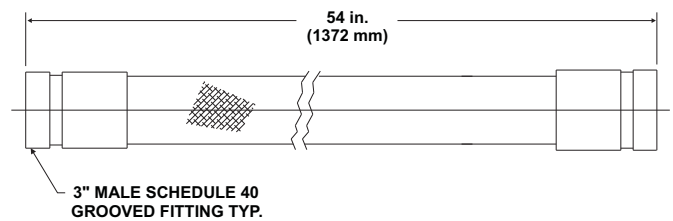
ORDERING INFORMATION

The part number for ordering the 3-inch flexible discharge hose is 06-118225-001.

SPECIFICATION

Material:	Convuluted hose with stainless steel braid overlay
Working pressure:	500 PSI (34.5 bar)
Proof pressure:	1000 PSI (68.9 bar)
Burst pressure:	2000 PSI (137.9 bar)

DIMENSIONS



COMPATIBILITY

Series	DIOM P/N	Approvals
Kidde Fire Systems ECS-500™ System	06-237585-001	UL, ULC, FM
Kidde Fire Systems ECS-500™ Marine System	06-237589-001	UL, ULC, USCG
Kidde Fire Systems ADS™ for use with Fluoroketone Fire Suppression Agents	06-237256-001	UL, ULC, FM
Kidde Fire Systems ADS™ Marine for use with Fluoroketone Fire Suppression Agents	06-237257-001	UL, ULC, USCG
Kidde Fire Systems ADS™ with HFC-227ea Agent	06-236068-001	UL, ULC, FM
Kidde Fire Systems ADS™ Marine with HFC-227ea Agent	06-236595-001	UL, ULC, USCG
Kidde Fire Systems ECS™ 360 for use with Fluoroketone Fire Suppression Agents	06-236553-001	UL, ULC, FM
Kidde Fire Systems ECS™ 360 Marine for use with Fluoroketone Fire Suppression Agents	06-236559-001	UL, ULC, USCG
Kidde Fire Systems ECS™ 360 with HFC-227ea Agent	06-236115-001	UL, ULC, FM
Kidde Fire Systems Modular ECS™ 360 with HFC-227ea Agent	06-236116-001	UL, ULC, FM
Kidde Fire Systems ECS™ 360 Marine with HFC-227ea Agent	06-236225-001	UL, USCG

Agent	Series	Cylinder Size		
		600/675* lb	900/1010* lb	1100 lb**
Fluoroketone Fire Suppression Agents	ECS-500 System	X	X	X
	ECS 360	X	X	
	ADS	X	X	
HFC-227ea Agent	ECS 360	X	X	
	ECS 360 Modular	X		
	ADS	X	X	

* 675 and 1010 lb cylinders are only applicable to Kidde Fire Systems ADS™ with HFC-227ea systems.
 ** 1100 lb. Cylinder is only available for Kidde Fire Systems ECS-500™ System land-based systems.

EXPORT INFORMATION (USA)

Jurisdiction: EAR
 Classification: EAR99

This document contains technical data subject to the EAR.

All trademarks are the property of their respective owners.

This literature is provided for informational purposes only. KIDDE-FENWAL, INC. believes this data to be accurate, but it is published and presented without any guarantee or warranty whatsoever. KIDDE-FENWAL, INC. assumes no responsibility for the product's suitability for a particular application. The fire suppression system design, installation, maintenance, service and troubleshooting must be performed by trained, authorized Kidde Fire Systems distributors for the product to work correctly. If you need more information on this product, or if you have a particular problem or question, contact: KIDDE-FENWAL, INC., Ashland, MA 01721 USA, Telephone: (508) 881-2000.